



FACSIMILE EQUIPMENT

PARTS REFERENCE LIST

MODEL: FAX-T78

**(For Germany / United Kingdom / France /
Belgium / Netherlands / Switzerland /
Austria / Spain / Italy / European Generic)**

© Copyright Brother 2001

All rights reserved

No part of this publication may be reproduced in any form
or by any means without permission in writing from the
publisher.

Specifications are subject to change without prior notice.

NOTES FOR USING THIS PARTS REFERENCE LIST

1. In the case of ordering parts, it needs mentioning the following items:

- (1) Code
- (2) Q' ty
- (3) Description

Note: No orders without Parts Code or Tool No. can be accepted.

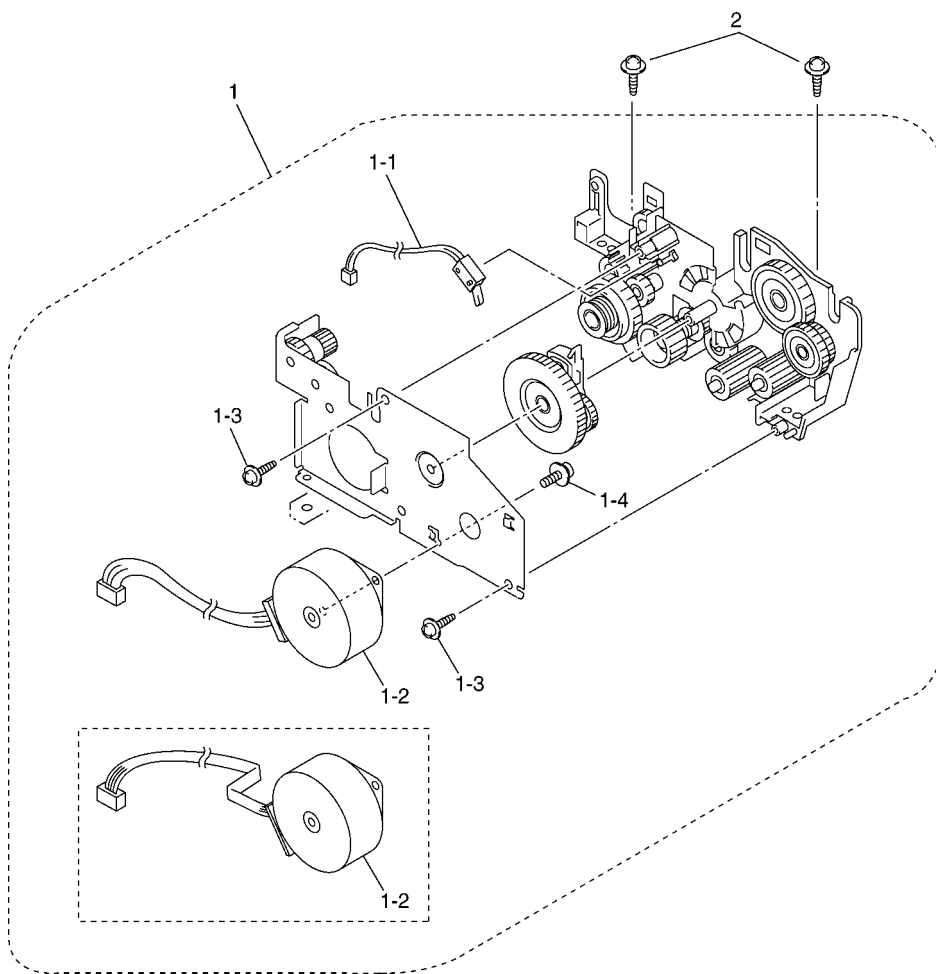
[Example]

REF.NO.	CODE	Q' TY	DESCRIPTION	RECOMMEND	REMARKS

2. Parts change will be informed by the technical information.

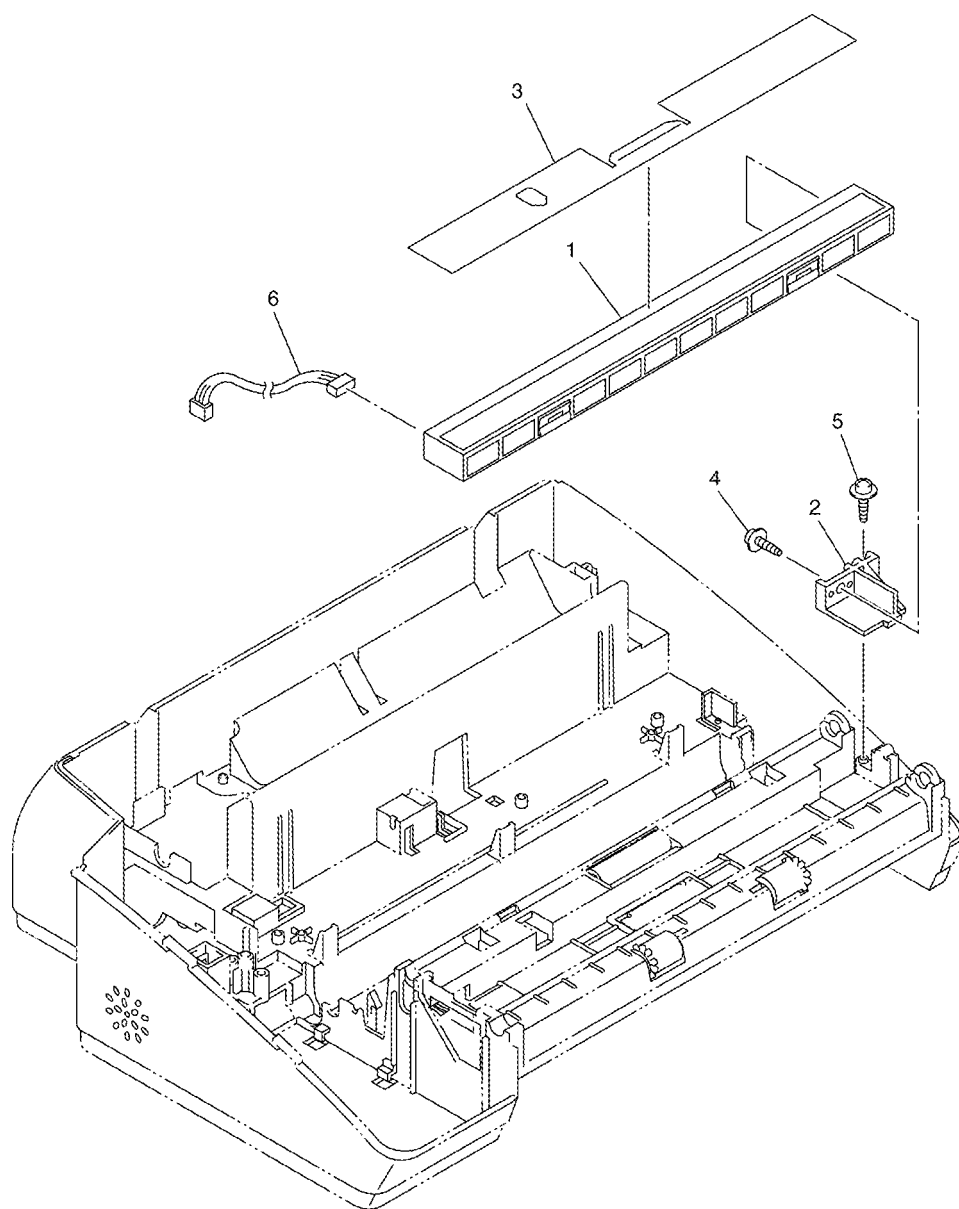
COUNTRIES

GERMANY ---- GER
UNITED KINGDOM ---- UK
FRANCE ---- FRA
BELGIUM ---- BEL
SWITZERLAND ---- CHE
AUSTRIA ---- AUS
SPAIN ---- SPA
ITALY ---- ITA
EUROPEAN GENERIC ---- GNR



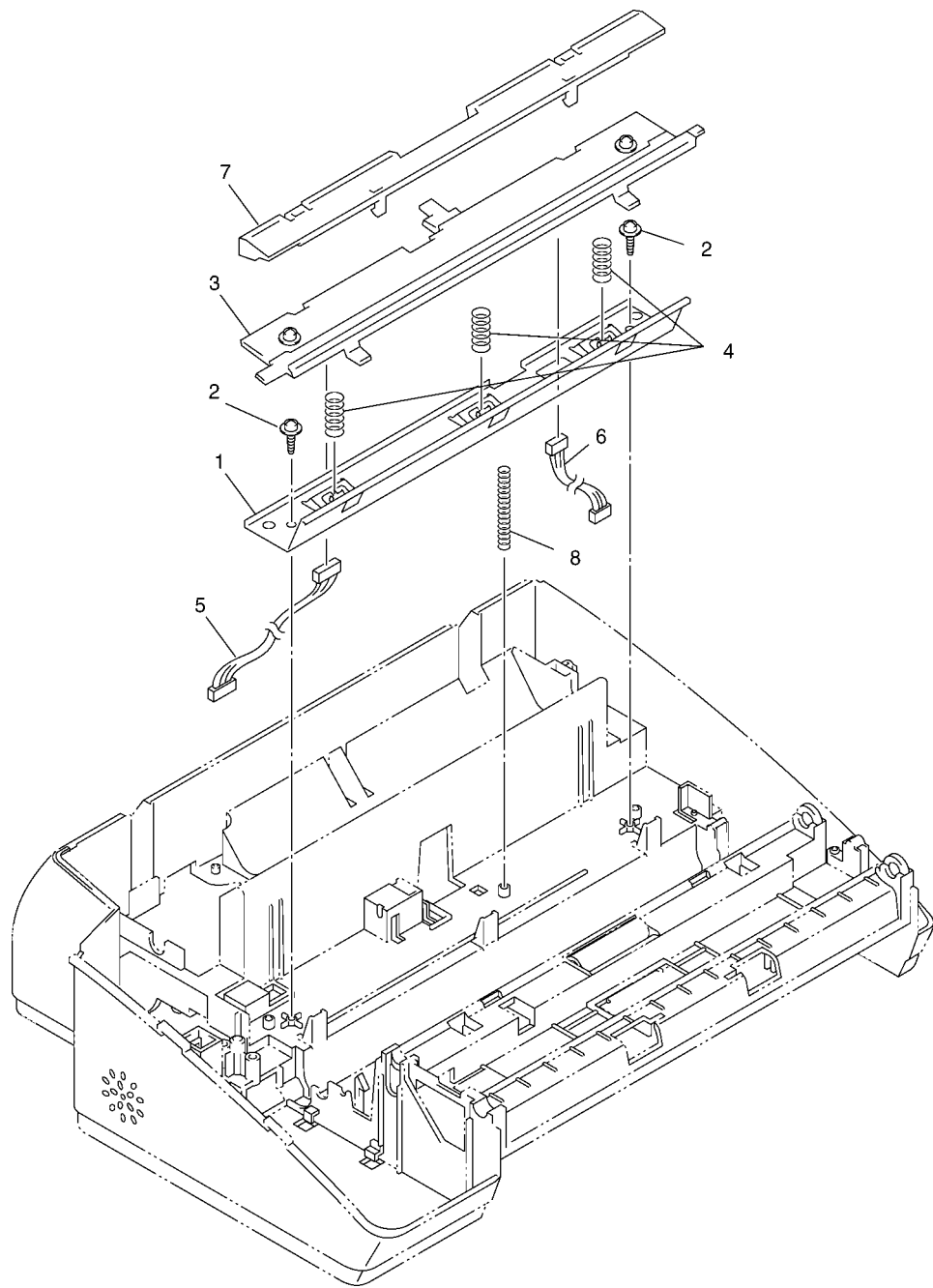
LIST1 (DRIVING)

REF No.	CODE	Q'TY	DESCRIPTION	REMARKS	ORDER TO BIUK
1	LE5262001	1	DRIVE GEAR FRAME ASSY		
1-1	LG2581001	1	ARM HP SWITCH ASSY		
1-2	LE4028001	1	MOTOR WITH HARNESS		
1-3	087310815	2	TAPTITE, CUP B M3X8		o
1-4	U09759001	1	SCREW, PAN (S/P WASHER) M3X6		o
2	087311016	2	TAPTITE, CUP B M3X10		



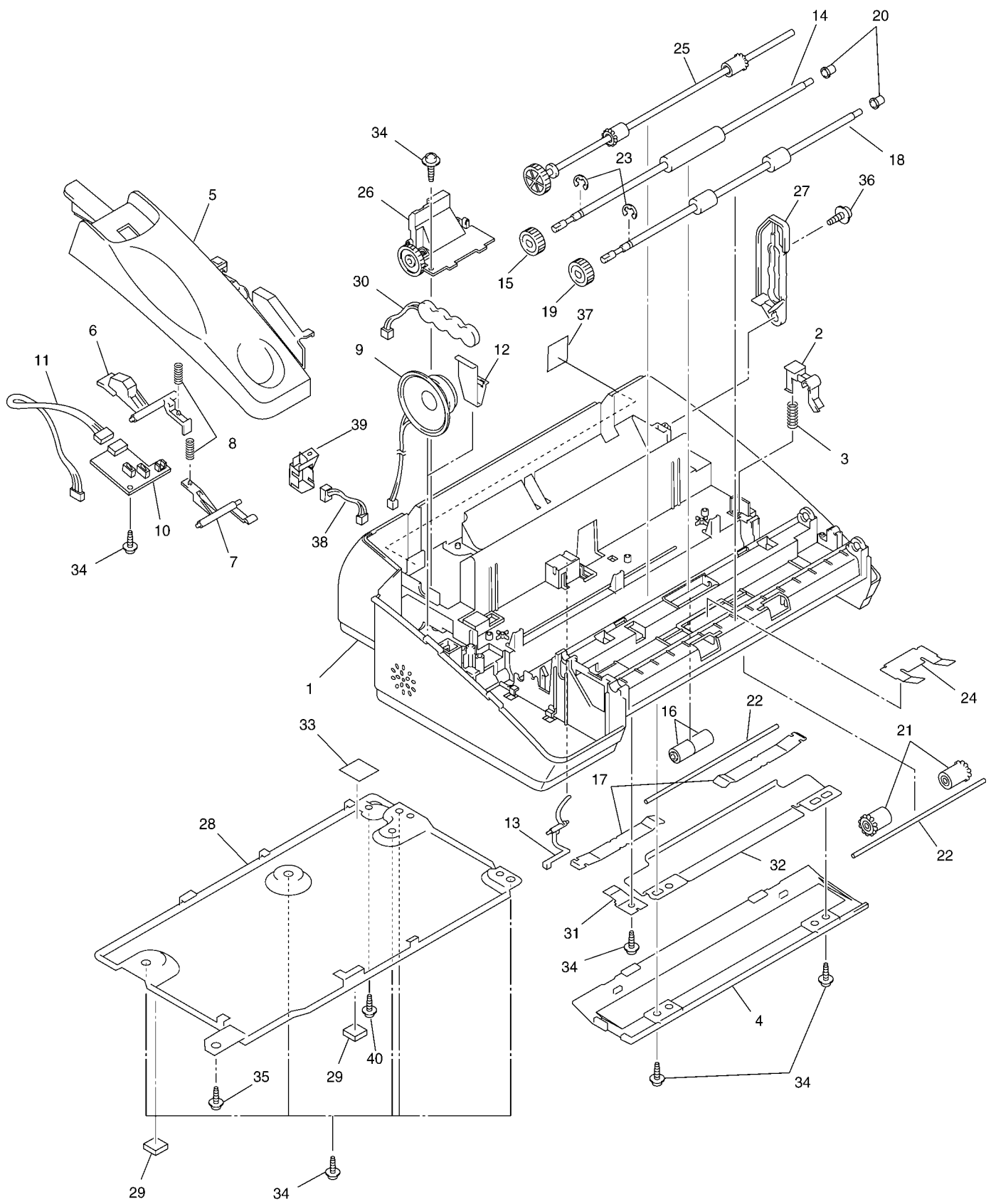
LIST2 (SCANNING)

REF No.	CODE	QTY	DESCRIPTION	REMARKS	ORDER TO BIUK
1	LG3076001	1	CIS UNIT		
2	LE4029001	1	CIS HOLDER		
3	LE4030001	1	CIS FILM (BLACK)		
4	085310815	1	TAPTITE, BIND B M3X8		
5	087310815	1	TAPTITE, CUP B M3X8		o
6	LG2557001	1	CIS-MAIN HARNESS		
(7)	UG3005000	1	FERRITE CORE:16X8X10		



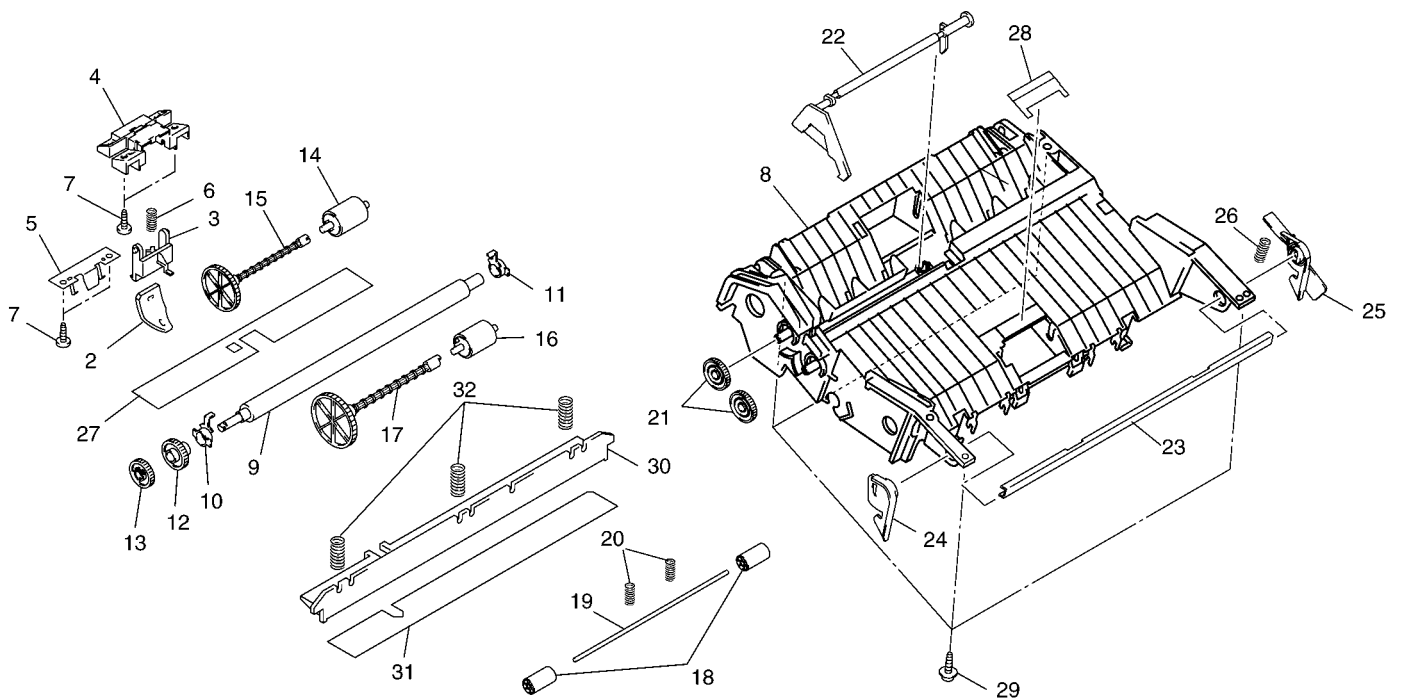
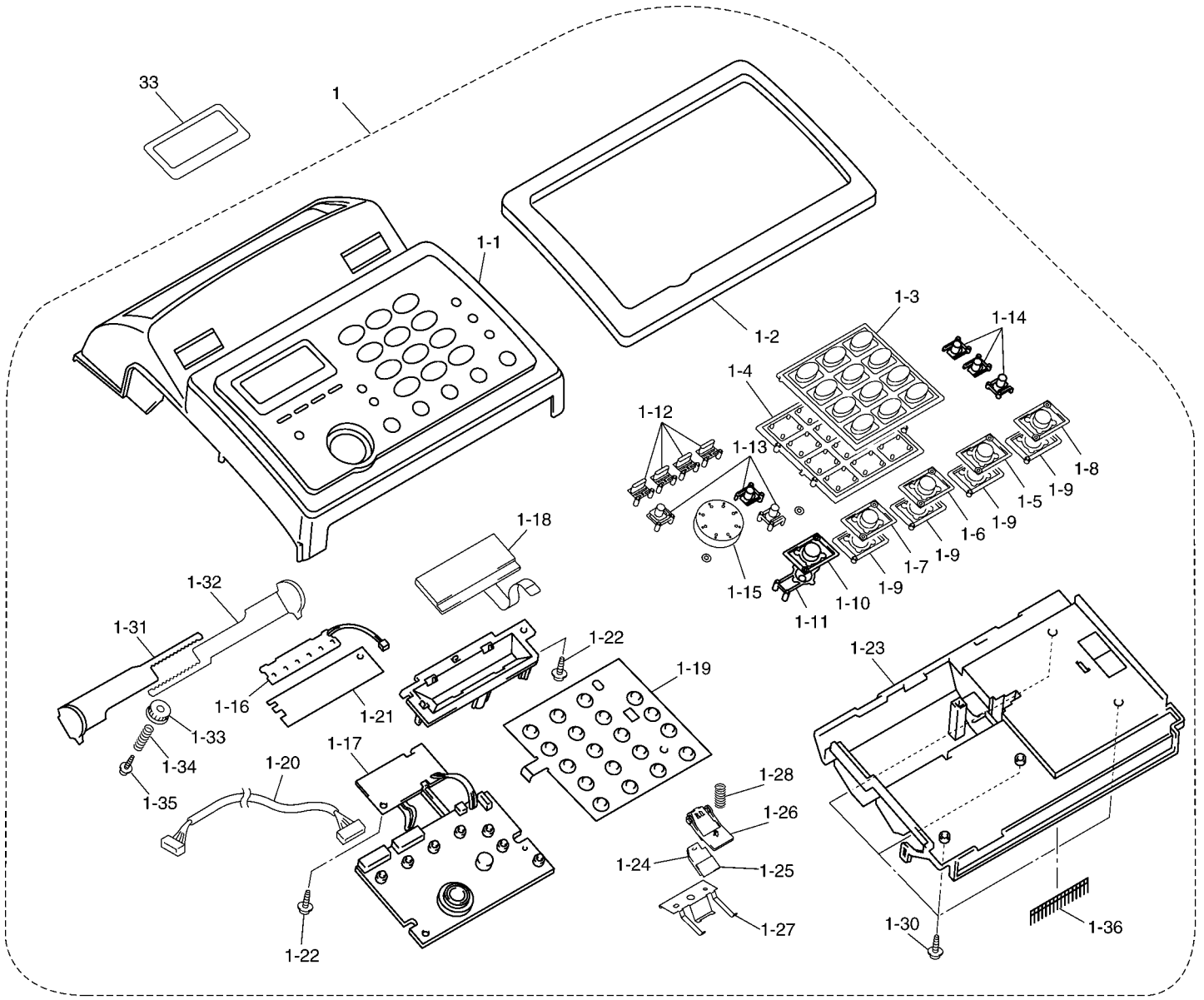
LIST3 (RECORDING)

REF No.	CODE	QTY	DESCRIPTION	REMARKS	ORDER TO BIUK
1	LE4031001	1	RECORDER FRAME		
2	087310815	2	TAPTITE, CUP B M3X8		o
3	LE5406001	1	RECORDING HEAD ASSY		
4	UF8072001	3	HEAD SPRING		o
5	LG2558001	1	MAIN-HEAD HARNESS		
6	LG2559001	1	HEAD-POWER HARNESS		
7	UF9856001	1	HEAD PROTECTOR		
8	LE4034001	1	GROUNDING SPRING		



LIST4 (COVER)

REF No.	CODE	Q'TY	DESCRIPTION	REMARKS	ORDER TO BIUK
1	LE5405003	1	MAIN FRAME GREY(1267)		o
2	LE4036001	1	RIBBON SHAFT STOPPER		
3	LE4037001	1	RIBBON STOPPER SPRING		
4	LE4038003	1	LOWER COVER		
5	LE4039004	1	HANDSET MOUNT		
6	LE4040001	1	HOOK SWITCH ACTUATOR		
7	LE4041001	1	COVER SENCER ACTUATOR(BLACK)		
8	LE4042001	2	ACTUATOR SPRING		
9	LG2630001	1	SPEAKER		
10	LG2576001	1	SENSOR PCB ASSY		
11	LG2560001	1	SENSOR-MAIN HARNESS		
12	UF9847001	1	SPEAKER SUPPORT SPRING		
13	LE4043001	1	RIBBON SENCER ACTUATOR		
14	LE4044001	1	DOCUMENT LF ROLLER		
15	LE4047001	1	GEAR, 23		
16	LE4501001	2	DOCUMENT PINCH ROLLER		
17	LE4048001	2	PINCH ROLLER SPRING		
18	LE4049001	1	DOCUMENT EJECTION ROLLER ASSY		
19	LE4047001	1	GEAR, 23		
20	UF9949001	2	ROLLER BUSHINGS		
21	UL6244002	2	DOCUMENT PRESSURE ROLLER		
22	UF6267000	2	PRESSURE ROLLER SHAFT		
23	048050346	2	RETAINING RING		
24	LE4051001	1	DOCUMENT PRESSURE ROLLER SPRING		
25	LE4052001	1	PAPER EJECTION ROLLER		
26	LE4054001	1	ROM COVER		
27	LE4061001	1	COVER STOPPER LINK		
28	LE4062001	1	BOTTOM PLATE		
29	UF6761001	2	RUBBER FOOT		o
30	LG2861001	1	BATTERY ASSY		
31	LE4204001	1	CIS SPRING		
32	LE4205001	1	SUPPORT PLATE		
33	LE4214001	1	INSULATION FILM		
34	087310815	10	TAPTITE, CUP B M3X8		o
35	U24014002	1	TAPTITE, CUP S M3.0X6		
36	LE4199001	1	TAPTITE, PAN B M4X6D10		
37	----		NOT USED		
38	----		NOT USED		
39	----		NOT USED		
40	----		NOT USED		
(41)	UF5745000	1	MJ COVER FOR GER/UK/FRA/BEL/AUS/ITA		

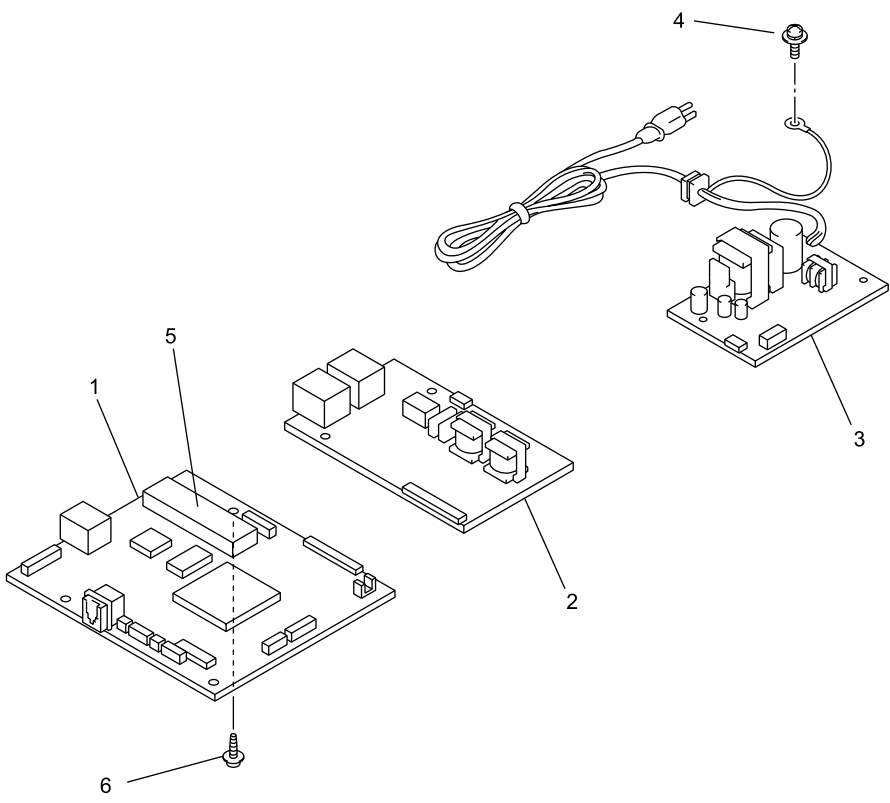


LIST5 (CONTROL PANEL)

REF No.	CODE	Q'TY	DESCRIPTION	REMARKS	ORDER TO BIUK
1	LE5271001	1	CONTROL PANEL ASSY FOR GER/AUS [GERMAN]		o
1	LE4920001	1	CONTROL PANEL ASSY FOR UK/BEL/CHE/GNR [ENGLISH]		o
1	LE5278001	1	CONTROL PANEL ASSY FOR FRA [FRENCH]		o
1	LE5570001	1	CONTROL PANEL ASSY FOR NLD [DUTCH]		o
1	LE4924001	1	CONTROL PANEL ASSY FOR SPA [SPANISH]		o
1	LE4926001	1	CONTROL PANEL ASSY FOR ITA [ITALIAN]		o
1-1	LE4879008	1	CONTROL PANEL FOR UK/BEL/CHE/GNR [ENGLISH]		o
1-1	LE4879009	1	CONTROL PANEL FOR NLD [DUTCH]		o
1-1	LE4879015	1	CONTROL PANEL FOR SPA [SPANISH]		o
1-1	LE4879016	1	CONTROL PANEL FOR ITA [ITALIAN]		o
1-1	LE4879003	1	CONTROL PANEL FOR GER/AUS [GERMAN]		o
1-1	LE4879005	1	CONTROL PANEL FOR FRA [FRENCH]		o
1-2	LE4563003	1	CONTROL PANEL FRAME, SMOKED GREY(1561)		
1-3	LE4927001	1	KEY, TEN, METALIC SILVER(1562)		o
1-4	UF9971001	1	BASE, TEN KEY		
1-5	LE4575001	1	KEY, START		
1-6	LE4576001	1	KEY, COPY		
1-7	LE4577001	1	KEY, STOP		
1-8	LE4578001	1	KEY, SPEAKER PHONE		
1-9	LE4565001	4	BASE, CLEAR KEY		
1-10	LE4579001	1	KEY, TAD		
1-11	LE4566001	1	BASE, TAD KEY		
1-12	LE4548001	4	KEY, MODE, WHITE(1522)		
1-13	LE4549001	3	KEY, MENU, WHITE(1522)		
1-14	LE4576012	3	KEY, HOLD, WHITE(1522)		
1-15	LE4580002	1	DIAL, JOG, METALIC SILVER(1562)		
1-16	LG2505001	1	BACKLIGHT PCB ASSY		
1-17	LG2889001	1	PANEL PCB ASSY		
1-18	LG3051001	1	LCD		o
1-19	LG2891001	1	FPC KEY		
1-20	LG3483001	1	PANEL-MAIN HARNESS		
1-21	LE4553001	1	DIFFUSION FILM		
1-22	087310815	2	TAPTITE, CUP B M3X8		o
1-23	LE5784001	1	PANEL REAR COVER		
1-24	LE4082001	1	ADF SEPARATION RUBBER		
1-25	LE4190001	1	SEPARATION RUBBER FILM		
1-26	LE4083001	1	ADF HOLDER		
1-27	LE4084001	1	ADF SPRING PLATE		
1-28	LE4085001	1	ADF SPRING		
1-29	UF6116001	1	TAPTITE, PAN B M3X6		o
1-30	087310815	4	TAPTITE, CUP B M3X8		o
1-31	LE4556001	1	DOCUMENT GUIDE B-L, WHITE(1517)		
1-32	LE4557001	1	DOCUMENT GUIDE B-R, WHITE(1517)		
1-33	UF4417000	1	GUIDE GEAR		

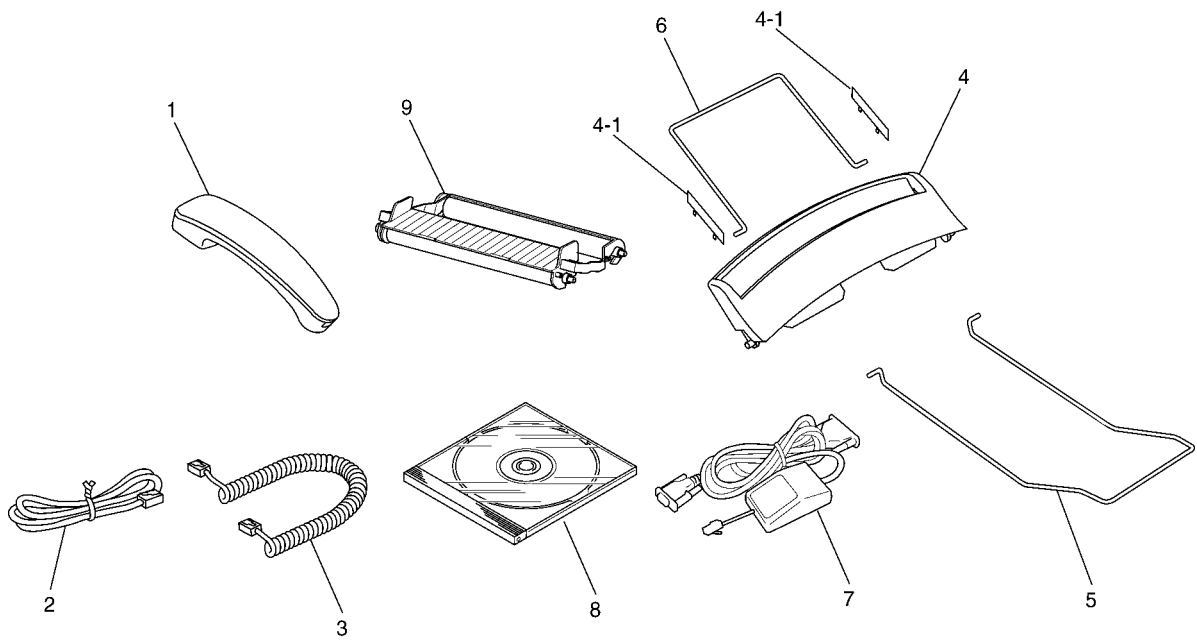
LIST5 (CONTROL PANEL)

REF No.	CODE	Q'TY	DESCRIPTION	REMARKS	ORDER TO BIUK
1-34	UF4418001	1	SPRING, COMPRESSION		
1-35	UF6116001	1	TAPTITE, PAN B M3X6		
1-36	UU0243001	1	ANTI-STATIC BRUSH		
2	LE4092001	1	ACF SEPARATION RUBBER		
3	LE4093001	1	ACF PLATE		
4	LE4094001	1	ACF HOLDER		
5	LE4187001	1	ACF LEAF SPRING		
6	LE4096001	1	ACF SPRING		
7	085310815	4	TAPTITE, BIND B M3X8		
8	LE4098001	1	CHUTE COVER, WHITE		
9	LE4102001	1	PLATEN		o
10	LE4104001	1	PLATEN SHAFT BUSHING L, BLACK		o
11	LE4105001	1	PLATEN SHAFT BUSHING R, WHITE		
12	LE4111001	1	GEAR, 24		
13	LE4047001	1	GEAR, 23		
14	LE4106001	1	PAPER FEED ROLLER 32		
15	LE4108001	1	PAPER FEED ROLLER GEAR 37		
16	UF6613001	1	SEPARATION ROLLER		
17	LE4109001	1	SEPARATION ROLLER GEAR 46		
18	LE4147001	2	PAPER PRESSURE ROLLER		
19	LE4110001	1	PRESSURE ROLLER SHAFT		
20	UF9781001	2	PRESSURE ROLLER SPRING		o
21	LE4012001	2	GEAR, 32		
22	LE4099001	1	REGISTRATION SENSOR ACTUATOR		
23	LE4113001	1	LOCK BAR		
24	LE4114001	1	LOCK LEVER L, WHITE		
25	LE4115001	1	LOCK LEVER R, GRAY(1473)		
26	LE4373001	1	LOCK SPRING		
27	LE4117001	1	CHUTE FILM		
28	LE4203001	1	ADF FILM		
29	087310815	4	TAPTITE, CUP B M3X8		
30	LE4087001	1	DOCUMENT PRESSURE BAR		
31	LE4088001	1	WHITE FILM		
32	UF9781001	3	SPRING		
33	LE4856001	1	LCD SHEET FOR GER/AUS		o
33	LE4870001	1	LCD SHEET FOR UK/BEL/CHE/GNR		o
33	LE4875001	1	LCD SHEET FOR FRA		o
33	LE5571001	1	LCD SHEET FOR NLD		o
33	LE4901001	1	LCD SHEET FOR SPA		o
33	LE4902001	1	LCD SHEET FOR ITA		o



LIST6 (PCB)

REF No.	CODE	QTY	DESCRIPTION	REMARKS	ORDER TO BIUK
1	LG3052041	1	MAIN PCB ASSY		0
2	LG2878003	1	NCU PCB ASSY FOR GER/AUS		0
2	LG2726004	1	NCU PCB ASSY FOR UK		0
2	LG2726026	1	NCU PCB ASSY FOR NLD		0
2	LG3238005	1	NCU PCB ASSY FOR FRA		0
2	LG3238008	1	NCU PCB ASSY FOR BEL/SPA/ITA/GNR		0
2	LG3238010	1	NCU PCB ASSY FOR CHE		0
			POWER SUPPLY PCB ASSY (W/ AC CORD)		
3	LG3495003	1	FOR GER/FRA/BEL/NLD/AUS/SPA/ITA/GNR		0
3	LG3495004	1	POWER SUPPLY PCB ASSY (W/ AC CORD) FOR UK		0
3	LG2863010	1	POWER SUPPLY PCB ASSY (W/ AC CORD) FOR CHE		0
4	UF4444001	1	SCREW, PAN(P WASHER) M4X6		0
5	LG0277003	1	OTPROM FOR GER/AUS		0
5	LG0277004	1	OTPROM FOR UK		0
5	LG0277005	1	OTPROM FOR FRA		0
5	LG0275008	1	OTPROM FOR BEL/CHE		0
5	LG0277009	1	OTPROM FOR NLD		0
5	LG0277015	1	OTPROM FOR SPA		0
5	LG0277016	1	OTPROM FOR ITA		0
5	LG0277054	1	OTPROM FOR GNR		0
6	087310815	1	TAPTITE, CUP B M3X8		0



LIST7 (ACCESSORIES)

REF No.	CODE	Q'TY	DESCRIPTION	REMARKS	ORDER TO BIUK
1	LE5499009	1	HANDSET ASSY, WHITE(1517)		
2	UG3625001	1	TELEPHONE LINE CORD FOR GER		o
2	UG3626001	1	TELEPHONE LINE CORD FOR UK		o
2	UG3627001	1	TELEPHONE LINE CORD FOR FRA		o
2	UG1575001	1	TELEPHONE LINE CORD FOR BEL		o
2	UG3469000	1	TELEPHONE LINE CORD FOR CHE		o
2	UG4205001	1	TELEPHONE LINE CORD FOR AUS		
2	LG3077001	1	TELEPHONE LINE CORD FOR NLD/SPA/GNR		
2	UG3634001	1	TELEPHONE LINE CORD FOR ITA		o
3	UG3543009	1	CURLED CORD ASSY		
4	LE4375004	1	PAPER TRAY ASSY, SMOKED GREY(1561)		o
4-1	LE4234004	2	PAPER GUIDE, SMOKED GRAY(1561)		o
5	----		NOT USED		
6	UF9869001	1	PAPER WIRE EXTENSION		
7	----		NOT USED		
8	----		NOT USED		
9	LE4537001	1	PRINTING CARTRIDGE (10M)		o
(9-1)	LE4464001	1	PRINTING CARTRIDGE FRAME		o
(9-2)	LE4143001	1	REFILL ROLL (10M)		
(10)	LG3622001	1	TELEPHONE PLUG FOR NLD		

LIST8 (PRINTED MATERIAL)

REF No.	CODE	QTY	DESCRIPTION	REMARKS	ORDER TO BIUK
1	LE5272003	1	OWNER'S MANUAL ASSY FOR GER/AUS (INCLUDING OWNER'S MANUAL(REF. No.(1-1), WARRANTY CARD, START CARD)		o
1	LE5274004	1	OWNER'S MANUAL ASSY FOR UK (INCLUDING OWNER'S MANUAL(REF. No.(1-1), WARRANTY CARDS, START CARD)		o
1	LE5279005	1	OWNER'S MANUAL ASSY FOR FRA (INCLUDING OWNER'S MANUAL(REF. No.(1-1), WARRANTY CARDS, START CARD)		o
1	LE4899008	1	OWNER'S MANUAL ASSY FOR BEL (INCLUDING OWNER'S MANUAL(REF. No.(1-1), WARRANTY CARD, START CARD)		o
1	LE5572009	1	OWNER'S MANUAL ASSY FOR NLD (INCLUDING OWNER'S MANUAL(REF. No.(1-1), WARRANTY CARD, START CARD)		o
1	LE5280010	1	OWNER'S MANUAL ASSY FOR CHE (INCLUDING OWNER'S MANUAL(REF. No.(1-1), WARRANTY CARD, START CARD)		o
1	LE5933014	1	OWNER'S MANUAL ASSY FOR AUS (INCLUDING OWNER'S MANUAL(REF. No.(1-1), WARRANTY CARD, START CARD)		o
1	LE4904015	1	OWNER'S MANUAL ASSY FOR SPA (INCLUDING OWNER'S MANUAL(REF. No.(1-1), WARRANTY CARDS, START CARD)		o
1	LE4903016	1	OWNER'S MANUAL ASSY FOR ITA (INCLUDING OWNER'S MANUAL(REF. No.(1-1), WARRANTY CARD, START CARD)		o
1	LE4897054	1	OWNER'S MANUAL ASSY FOR GNR (INCLUDING OWNER'S MANUAL(REF. No.(1-1)), START CARD)		o
(1-1)	LE5273003	1	OWNER'S MANUAL FOR GER/AUS		o
(1-1)	LE4872004	1	OWNER'S MANUAL FOR UK/GNR		o
(1-1)	LE4872005	1	OWNER'S MANUAL FOR FRA		o
(1-1)	LE4878008	1	OWNER'S MANUAL FOR BEL (DUTCH)		o
(1-1)	LE4872008	1	OWNER'S MANUAL FOR BEL/CHE (FRENCH)		o
(1-1)	LE4872010	1	OWNER'S MANUAL FOR CHE (GERMAN)		o
(1-1)	LE4872009	1	OWNER'S MANUAL FOR NLD		o
(1-1)	LE4872015	1	OWNER'S MANUAL FOR SPA		o
(1-1)	LE4872016	1	OWNER'S MANUAL FOR ITA		o
(2)	UF8263001	1	TEST CHART-027		

LIST9 (PACKING)

REF No.	CODE	QTY	DESCRIPTION	REMARKS	ORDER TO BIUK
(1)	LE4900001	1	CARTON, BROTHER, FAX-T78		o
(2)	LE4864001	1	STYROFOAM ASSY		o
(3)	UE1172001	1	BAG, 570X650H		
(3-1)	163528001	1	SUFFOCATION CAUTION LABEL FOR UK		
(4)	----		NOT USED		
(5)	LE4219001	2	PANEL CUSHION		
(6)	LF1001001	1	PROTECTION SHEET TAPE ASSY EUR FOR GER/FRA/BEL/NLD/CHE/IRE/AUS/SPA/ITA/GNR		o
(6)	LF1002001	1	PROTECTION SHEET TAPE ASSY FOR UK		o

brother®

5X4584
PL-FAX007
Ver. K